

Manual Rod Handler (Rod-Type)



AAK Handling Equipments Pvt. Ltd.

Plot No. 174, Sybly Industrial Area Abupur, NH-58, Muradnagar, Ghaziabad-201206,
Uttar Pradesh, India Ph.: +9101232-262931 E-mail : sales@aakhandling.com, www.aakhandling.com

AAK HANDLING EQUIPMENT'S

Roll Handler - Rod

AAK Equipments having years of experience providing material handling solutions for the different industry and provide roll handling Equipments. AAK Equipment, meets all roll handling needs of the paper, textile, sheet metal and other industries.

Our roll handlers is manufactured using quality assured components that are procured from the certified vendors of the market. Our quality experts strictly test each machine and check all parameters to ensure its 100% safe and work perfectly. This equipment is trail and tested more than 1000 cycles in our factory. We designed and manufactured roll pallets, roll lifters and attachments to meet customer specific requirement. We have range of up to 1000 Kg capacity with lifting height up to 1600 mm.

It's handling a horizontal roll and use loading/ unloading from machine. It's specially designed for printing, packaging and paper industry and steel roll. In this roll handler we have a "C" type shape steel for stand mast and a rubber strip to avoid any accident.

Features:

Most standard and popular model with capacity 1000 kgs.

- Hand brake / drive hand pallet truck
- Easy 3 position control handle-- Raise, Lower, Neutral.
- Structural heavy duty steel construction.
- Powder coated structure and Integrated welded pump.
- Fork lowering speed is controllable, operated by hand control.
- Polyurethane wheels fitted as standard complete with break.
- Its Reduce time lost to personnel injuries and help increase your facility's productivity.

Wheels: Nylon wheel, Polyurethane wheel,



Full-function control handle with neutral



A few strokes of the large steering handle provides a full 110 mm of lift. A convenient control lever has three positions: Raise, Neutral and Lower.

The neutral position eliminates backpressure from the pump, allowing the handle to move freely. Lowering speed is controlled at all load capacities. The handle is spring loaded and returns to a vertical position when released. The handle thickness and angled shape is designed for the most fatigue free operating position.

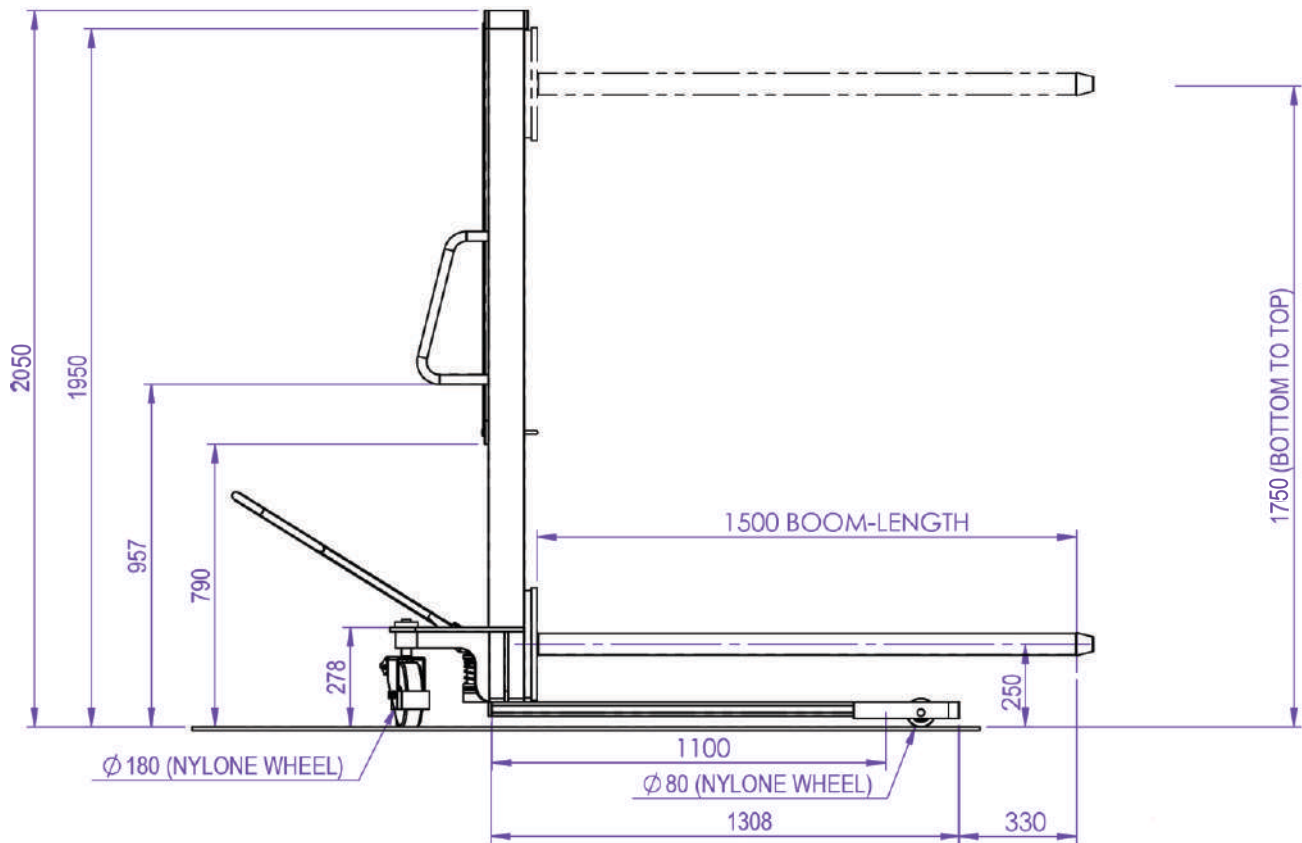
Durable frame and articulating wheels

A robust, cross-braced frame provides unrivalled strength and durability. Steel forgings are used on the lift linkage. For easier handling and control, the AMRH has large 180 mm steer wheels. Steer and load wheels use high quality compounds that lower rolling resistance, provide long life, and are smooth and quiet in operation. To ensure continuous contact with the floor, the wheels articulate to ensure you never have the weight of the load on just one wheel. Hubcaps protect the bearing and steer axle from side impact damage and contamination.



AAK HANDLING EQUIPMENT'S

AMRH-1016 R

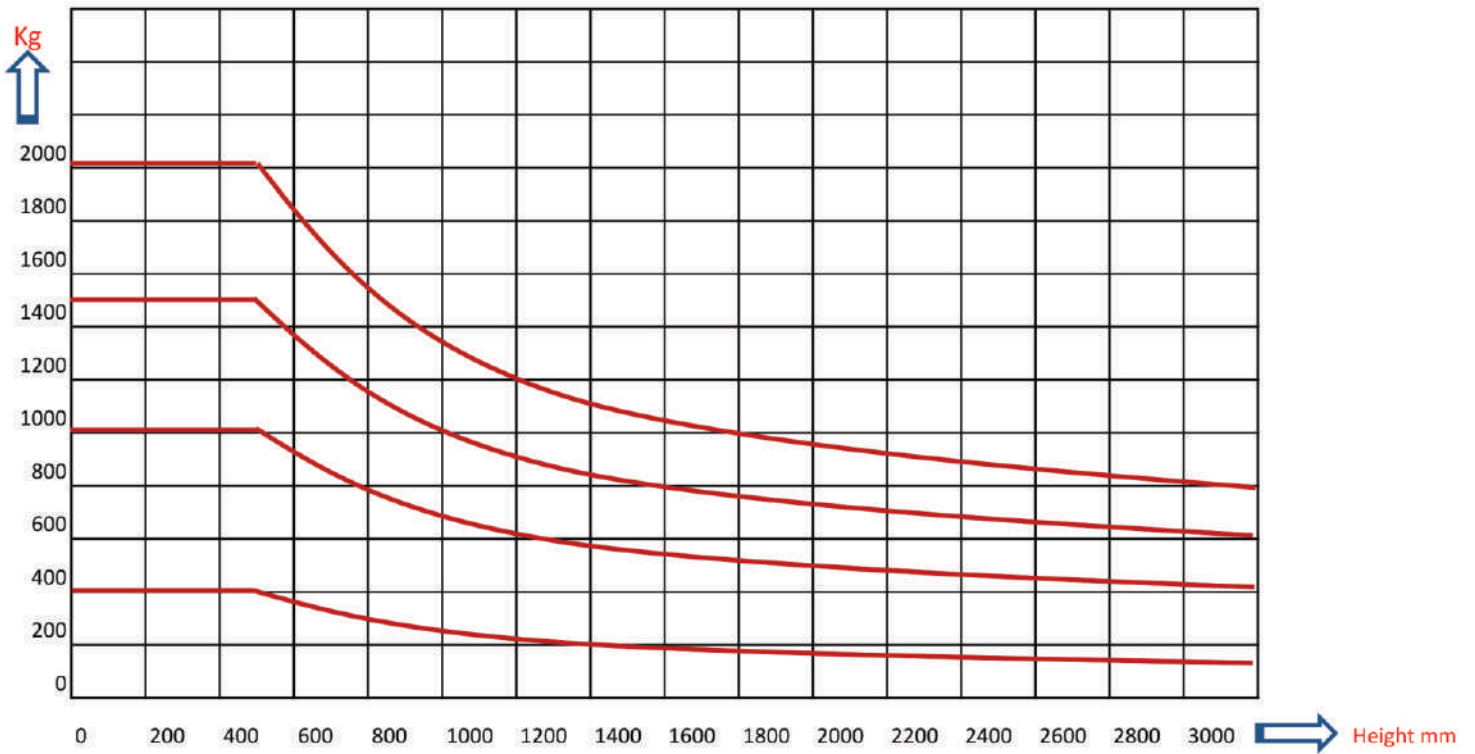


DESCRIPTION	UNIT	AMRH-1016R	AMRH-1030R
Max Capacity	Kg	Up to 1000	
Overall Dimensions	mm	1850 x 950 x 2050	
Min. Rod height	mm	250	
Max. Rod height	mm	1750	
Length of Seamless Rod	mm	1250/1500	
Seamless Rod Outer Dia	mm	60/65	
Load center	mm	600	
Structure	Std.	Mild Steel	
Load Wheels	mm	ø80x70/ø180x50	
Steering Wheels	mm	ø 180x50	
Turning Radius	mm	~1650	
Overall weight	mm	170	190

AAK HANDLING EQUIPMENT'S

Handler Load Capacity Chart

Load Center @ 500 mm



.1.0 Ton Handler lift 400 kg @ 3 M Height